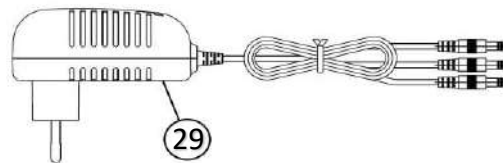
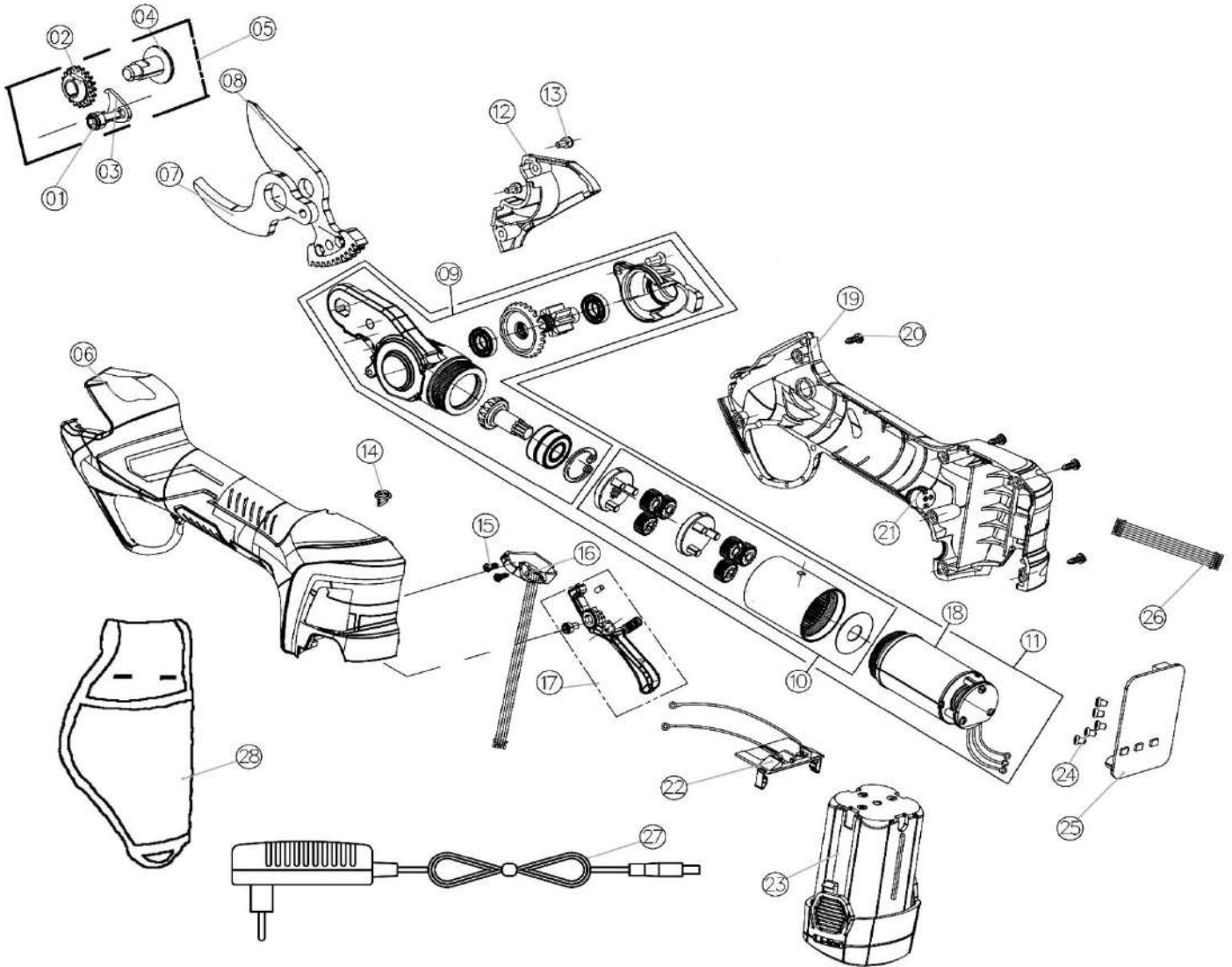


8. FORBICE A BATTERIA CORDLESS cod. KV310 - KV310NB/ CORDLESS ELECTRONIC PRUNER



8. FORBICE A BATTERIA CORDLESS cod. KV310 - KV310NB/ CORDLESS ELECTRONIC PRUNER

Posiz.	Cod.	Descrizione Articolo	Part Description	Unità Macchina	Pz per Confez.	Note
1	KV310R01	Vite anti-rotazione	ANTI ROTATION SCREW	1	1	
2	KV310R02	Dado lama	BLADE NUT	1	1	
3	KV310R03	Piastrina anti-rotazione	ANTI-ROTATION PLATE	1	1	
4	KV310R04	Perno lama	BLADE PINION	1	1	
5	KV310R05	Kit sistema di fissaggio lama	BLADE FIXING SYSTEM KIT	1	1	
6	KV310R06	Cover A	COVER A	1	1	
7	KV310R07	Lama fissa	FIXED BLADE	1	1	
8	KV310R08	Lama mobile	MOVING BLADE	1	1	
9	KV310R29K	Kit assemblato pignone - ruota conica e supporto lame fino a matricola "PI3521"	PINION ASSEMBLY- BEVEL WHEEL AND BLADE HOLDER KIT UP TO SERIAL NO. "PI3521"	1	1	
	KV310R38K	Kit assemblato pignone - ruota conica e supporto lame da matricola PI3621 e PW3621	PINION- BEVEL WHEEL AND BLADE HOLDER ASSEMBLY KIT UP TO FROM SERIAL NO. "PI3621" and "PW3621"	1	1	
10	KV310R30K	Kit riduttore fino a matricola PI3521	GEARBOX KIT UP TO SERIAL NO. "PI3521"	1	1	
	KV310R36K	Kit riduttore da matricola PI3621 e PW3621	GEARBOX KIT FROM SERIAL NO. "PI3621" AND "PW3621"	1	1	
11	KV310R31K	Kit assemblato trasmissione fino a matricola PI3521	TRANSMISSION ASSEMBLY KIT UP TO SERIAL NO. "PI3521"	1	1	
	KV310R35K	Kit assemblato trasmissione da matricola PI3621 e PW3621	TRANSMISSION ASSEMBLY KIT FROM SERIAL NO. "PI3621" and "PW3621"	1	1	
12	KV310R14	Cover lama	BLADE COVER	1	1	
13	KV310R15	Vite cover lama	BLADE COVER SCREW	2	1	
14	KV290R23	Cover LED	LED COVER	1	1	
15	KV290R11	Kit vite fissaggio scheda (2 pezzi)	BOARD FIXING SCREW KIT (2 pcs.)	2	1	
16	KV310R16	Circuito posizione lama	BLADE POSITION CIRCUIT	1	1	
17	KV310R17	Assieme grilletto	TRIGGER ASSEMBLY	1	1	
18	KV310R20	Motore fino a matricola PI3521	MOTOR UP TO SERIAL NO. "PI3521"	1	1	
	KV310R32	Motore da matricola PI3621 e PW3621	MOTOR FROM SERIAL NO. "PI3621" and "PW3621"	1	1	
19	KV310R22	Cover B fino a matricola PI3521	COVER B UP TO SERIAL NO. "PI3521"	1	1	
	KV310R34	Cover B da matricola PI3621 e PW3621	COVER B FROM SERIAL NO. "PI3621" and "PW3621"	1	1	
20	KV310R23K	Kit viti cover (8 pezzi)	COVER SCREW KIT (8 pieces)	8	8	
21	KV300R12	Interruttore	SWITCH	1	1	
22	KV310R24	Base batteria	BATTERY BASE	1	1	
23	WBLI2500	BATTERIA AL LITIO 14,4 V 2,5 Ah	LITHIUM BATTERY 14.4 V 2.5 Ah	1	1	
24	KV290R19K	Kit viti scheda di controllo (5 pezzi)	CONTROL BOARD SCREW KIT (5 pieces)	5	5	
25	KV310R25	Scheda di controllo fino a matricola PI3521	CONTROL BOARD UP TO SERIAL NO. "PI3521"	1	1	
	KV310R33	Scheda di controllo da matricola PI3621 e PW3621	CONTROL BOARD FROM SERIAL NO. "PI3621" and "PW3621"	1	1	
26	KV310R27	Piattina 6 fili	6 WIRES PLATE	1	1	
27	WCBLI1A18W	CARICABATTERIA DA 1,0 Ah 18W	CHARGER 1,0Ah 18W	1	1	
28	KV500R32	Fondina	HOLSTER	1	1	
29	KV300R72	CARICA BATTERIE LI-ION 14,4V 3 VIE	3-WAY BATTERY CHARGER 14,4V	1	1	
-	LUB200	Grasso spray multiuso al PTFE 270cc - conf 12 pz	MULTI-PURPOSE PTFE SPRAY GREASE 270cc - 12 PCS	1	1	