



EP MINI 3/4\"/>

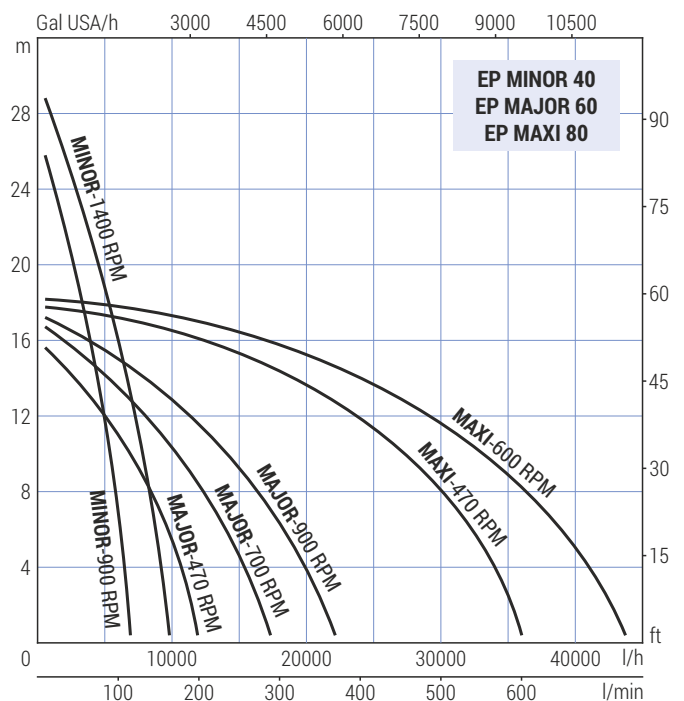
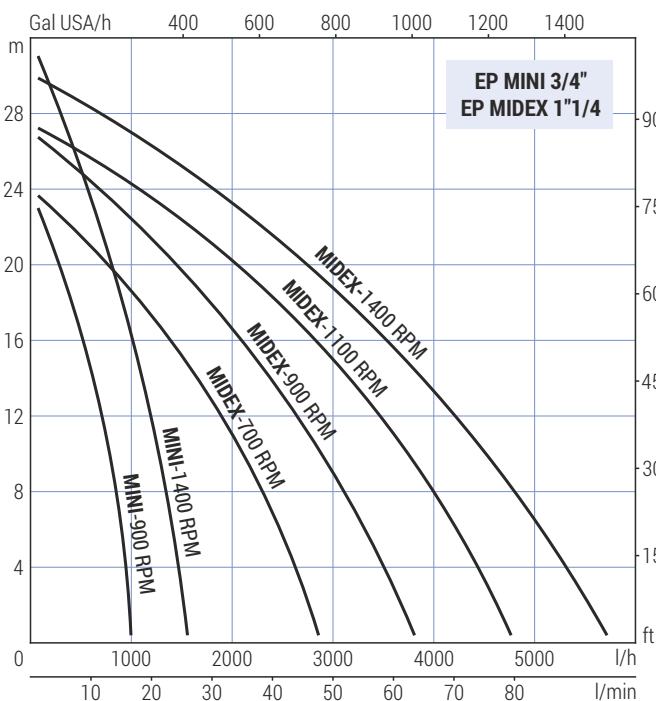


EP MINOR 40
EP MAJOR 60
EP MAXI 80

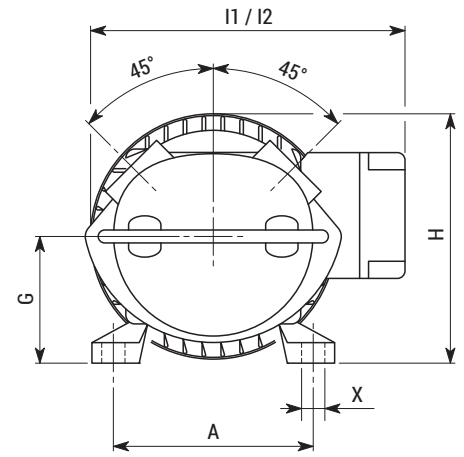
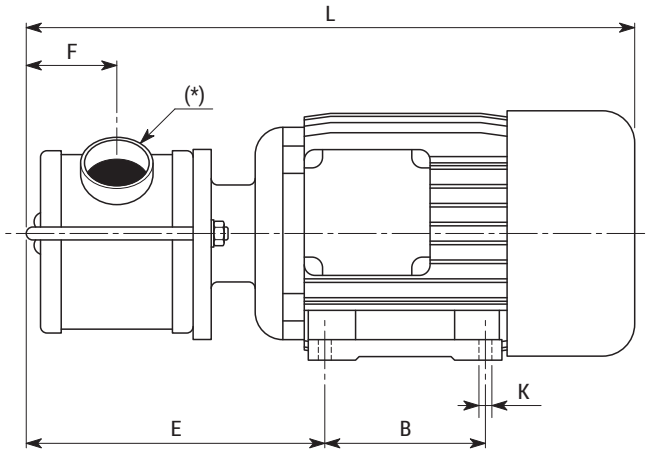
<https://theolivecentre.com/product/olive-oil-transfer-pump>

Tipo Type	Motore * Motor *	kW	Velocità Speed	Giri/min RPM	H = Prevalenza (metri) / Head (meters)										Q = Portata (litri/ora) / Capacity (liters/hour)	
					0	4	8	12	16	18	24	27	30	32		
EP MINI 3/4"	MF - TF	0.37	1	900	1000	900	840	720	540	450	0					
	MF - TF	0.56	1	1400	1620	1440	1320	1140	1020	900	600	400	180	0		
	CC 12V	0.3/30A	1	1400	1620	1440	1320	1140	1020	900	600	400	180	0		
	CC 24V	0.3/16A	1	1400	1620	1440	1320	1140	1020	900	600	400	180	0		
EP MIDEX 1"1/4	MF - TF	0.56	1	900	3840	3480	3180	2760	2160	1800	720	0				
	MF - TF	0.75	1	1400	5760	5160	4800	4320	3600	3180	1920	1200	0			
	TF	0.56	2	1400	5760	5160	4800	4320	3600	3180	1920	1200	0			
		0.37		700	2880	2600	2300	1900	1400	1100	0					
	CC 12V	0.5/55A	1	1100	4800	4400	3980	3450	2800	2400	1100	0				
	CC 24V	0.5/28A	1	1100	4800	4400	3980	3450	2800	2400	1100	0				
EP MINOR 40	MF - TF	1.5	1	900	6900	6200	5760	5040	4200	3660	1800	0				
	TF	1.5	1	1400	10000	9000	8000	6900	5500	4900	2600	1700	0			
	TF	2.1	2	1400	10000	9000	8000	6900	5500	4900	2600	1700	0			
	1.2		900	6900	6200	5760	5040	4200	3660	1800	0					
EP MAJOR 60	TF	1.25	1	470	12000	10500	8700	5100	0							
	TF	1.5	1	700	18000	15000	12000	8400	2500	0						
	TF	1.87	1	900	22500	19560	15000	11220	3000	0						
EP MAXI 80	TF	3.3	1	470	36000	34200	30000	24000	12000	0						
	TF	3.5	1	600	43800	41400	36000	30000	16000	0						

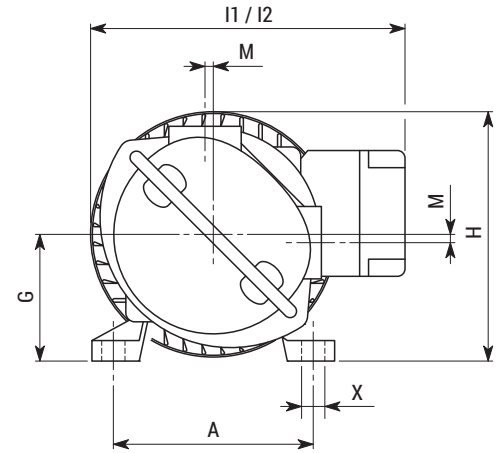
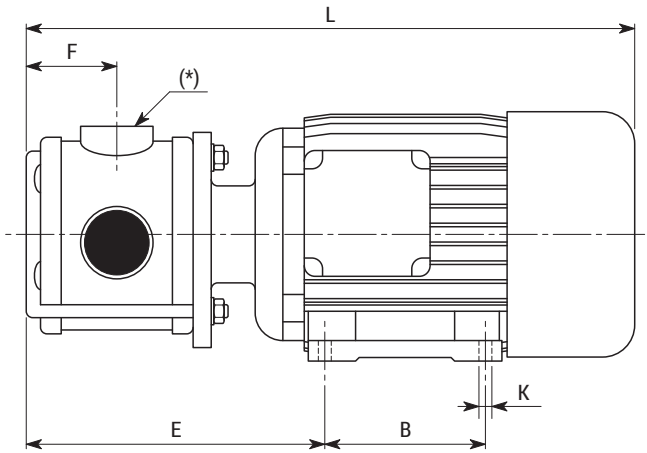
* MF = monofase / single-phase - TF = trifase / three-phase - CC = corrente continua / direct current



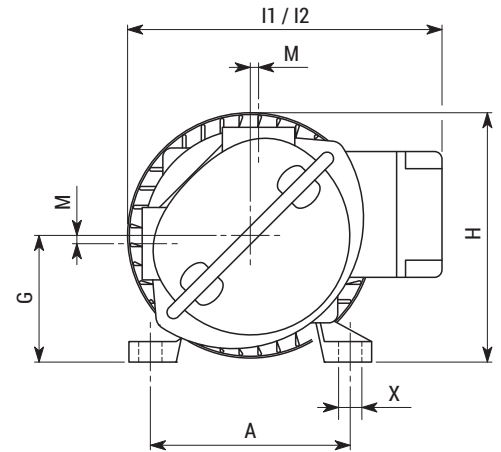
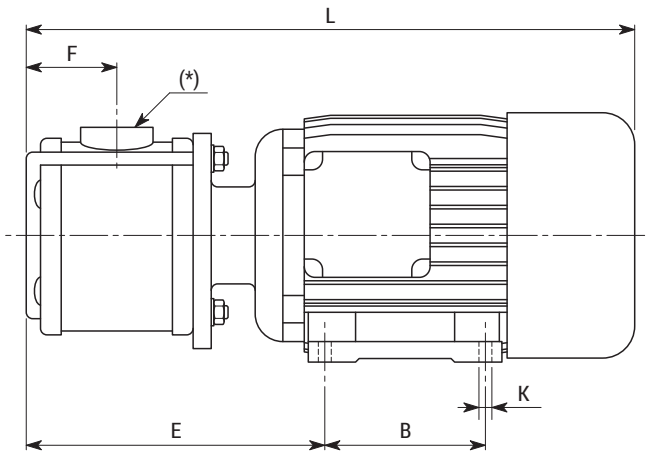
Posizione
Position
V



Posizione
Position
90D



Posizione
Position
90S



<https://theolivecentre.com/product/olive-oil-transfer-pump>

Tipo Type	Motore Motor	Peso Weight	Velocità Speed	Dimensioni (mm) / Dimensions (mm)											
				A	B	E	F	G	H	I1 **	I2 **	L	M	K	X
EP MINI 3/4"	M71	9÷10 kg	1	112	90	106	26	71	140	192	210	276	0	7	12
EP MIDEX 1"1/4	M80	15 kg	1	125	100	148	38	80	159	200	227	338	7	8	16
	M80	15 kg	2	125	100	148	38	80	159	-	227	338	7	8	16
EP MINOR 40	M90	20 kg	1	140	125	198	60	90	180	210	240	420	4.5	10	16
	M100	27 kg	2	160	140	210	60	100	198	-	260	455	4.5	12	21
EP MAJOR 60	M100	31 kg	1	160	140	253	70	100	198	245	263	490	6.5	12	21
	M112	38 kg	1	190	140	259	70	112	225	275	-	514	6.5	12	22
EP MAXI 80	M132	68 kg	1	216	178	312	90	132	261	320	-	630	13	12	22

* raccordi disponibili p.21 / available pipe fittings p.21

** I1 = motore con morsetteria / motor with terminal board connection

** I2 = motore con interruttore/invertitore / motor with on-off/rotative reverse switch